

HANDLE PEARES

External handle for tube 22 mm

TECHNICAL DATA SHEET

- Available in AISI 304 or zinc plated mild steel DD13.
- Stainless steel thickness 2 mm.
- "PUSH" release mechanism.
- Poliamide 6.6 injected grip handle.
- Maximum opening 100°
- Suitable for seal or padlock.
- Keybarrel protected by key cover.
- Metallic locking barrel cam.
- Handle spring with tested resistance up to 100.000 cycles opening/closure.
- Double rolling allowing great resistance.
- Suitable for internal opening release.
- Double anchorage push button system allowing the opening from the inside even when the handle is locked with key.

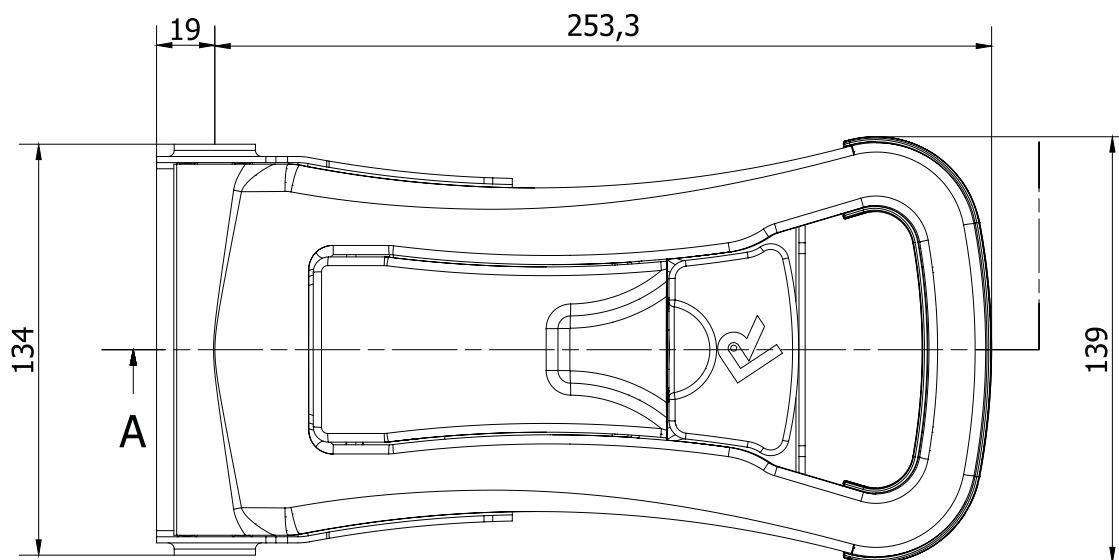
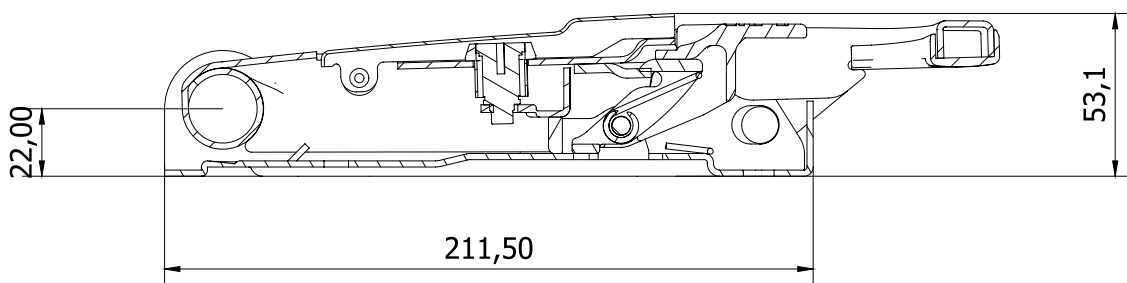


	STAINLESS STEEL AISI 304	MILD STEEL ZINC PLATED	WEIGHTS
EXTERNAL HANDLE DIAM 22	202050253	202050153	1690 gr.

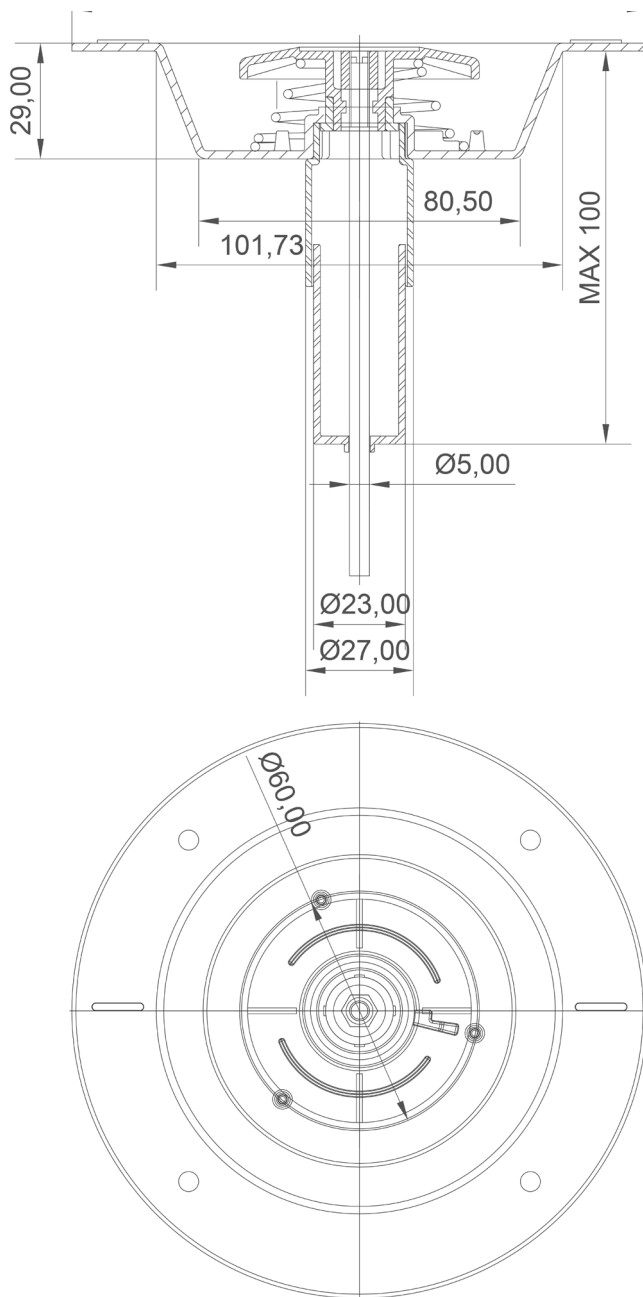
HANDLE PEARES

External handle for tube 22 mm

A-A (1 : 2)



INTERNAL OPENING RELEASE



	CODE
INTERNAL OPENING RELEASE	202740680